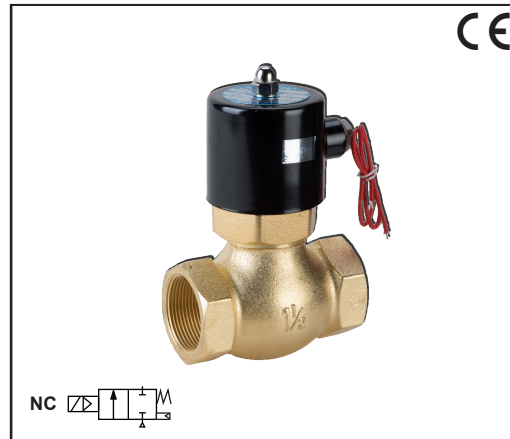


## Features

- Adopt steeple-crowned structure; automatically sealed compensation could extend the useful life of This valve
- Solenoid magnetic field design could reach higher voltage.
- The balance design of piston clearance could reinforce the reliable use of this valve in higher temperature.



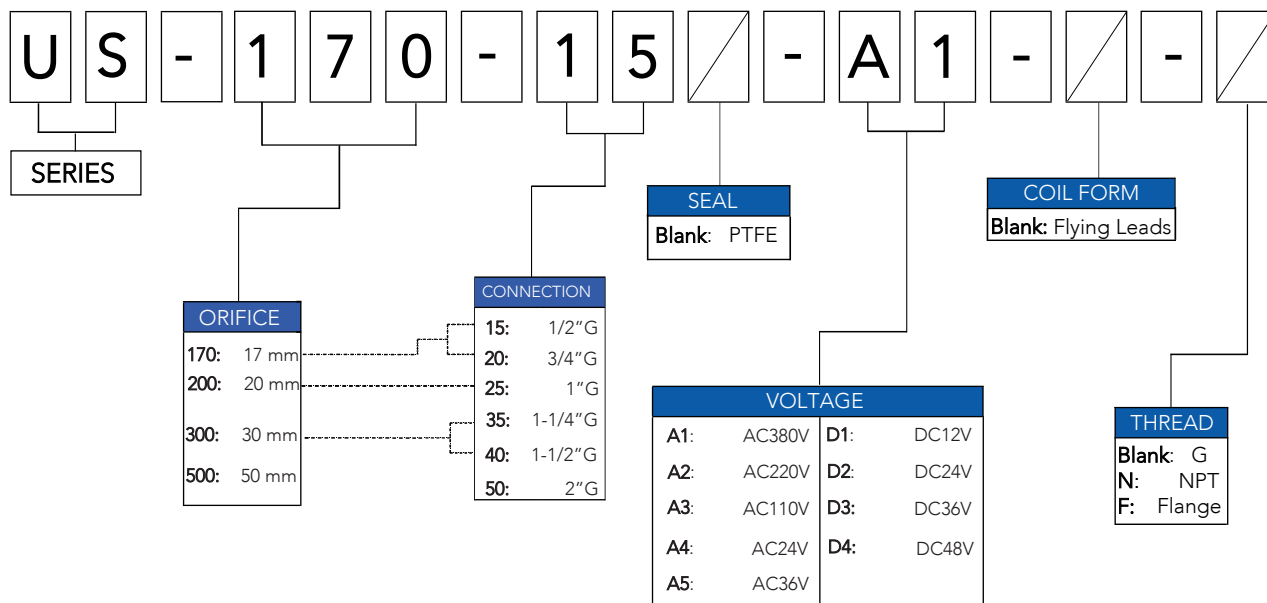
\*Note:

US series only has flying leads coil, thermosetting plastic coil is not good for high temperature heat dissipation

## Electrical

Standard Coil Class of Insulation	Watt Rating and Power Consumption				Spare Coil Part Number			
	DC Watt	AC			General Purpose		Explosionproof	
		Watt	VA Holdin	VA Inrus	AC	DC	AC	DC
F	24	28	50	78	US-FXD-AC	US-FXD-DC	-	-
F	24	50	75	80	US-HXD-AC	US-HXD-DC	-	-

## Ordering Code



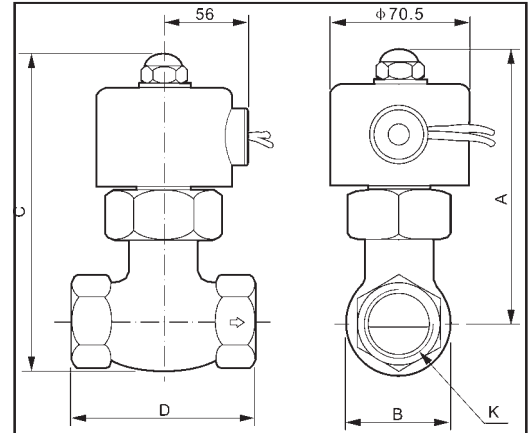
### Order Example:

US series pilot operated steam 2/2 ways solenoid valve, 1/2" port size, PTFE seals, AC220V, Flying leads coil, BSPP (G) thread.

SENYA part# US170-15-A2

**Dimensions Sheet (mm)**

Model	Port size	A	B	C	D
US170-15-A2	1/2"	128	42	145	81
US170-20-A2	3/4"	128	48	148	81
US200-25-A2	1"	130	54	156	91
US300-35-A2	1 1/4"	148	76	185	113
US300-40-A2	1 1/2"	148	76	183	113
US500-50-A2	2"	171	91	216	168


**Specifications (Metric units)**

Pipe Size (in)	Orifice Size (mm)	CV Flow Factor	Operating Pressure Differential (Bar)							Max. Fluid Temp. °C		Brass Body Catalog Number	Stainless Steel 304 Catalog Number	Watt Rating/ Class of Coil Insulation	
			Min.	Max. AC			Max. DC			AC	DC			AC	DC
				Air-Inert Gas	Water	Light Oil less 50 CST	Air-Inert Gas	Water	Light Oil less 50 CST						
<b>NORMALLY CLOSED (Closed when de-energized)</b>															
1/2	17	4.8	0.1	16	16	10	16	16	10	180	180	US170-15-A2	USB170-15-A2	17.1/F	-
3/4	17	4.8	0.1	16	16	10	16	16	10	180	180	US170-20-A2	USB170-20-A2	-	11.6/F
1	20	12	0.1	16	16	10	16	16	10	180	180	US200-25-A2	USB200-25-A2	17.1/F	40.6H
1 1/4	30	20	0.1	16	16	10	16	16	10	180	180	US300-35-A2	USB300-35-A2	10.1/F	11.6/F
1 1/2	30	20	0.1	16	16	10	16	16	10	180	180	US300-40-A2	USB300-40-A2	16.1/F	30.8/F
2	50	48	0.1	16	16	10	16	16	10	180	180	US500-50-A2	USB500-50-A2	17.1/F	-

**\*Note:**

Standard Voltages must be specified when ordering. Other voltages please consult SENYA staff for more details