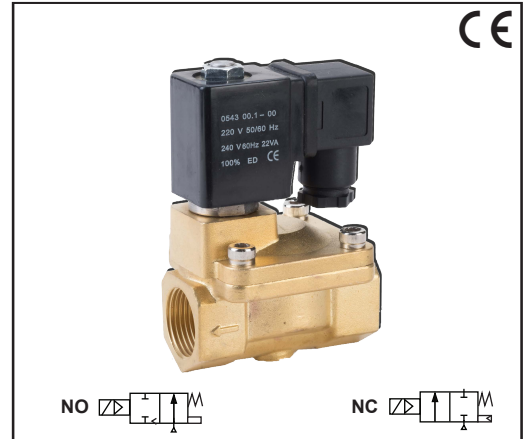


Features

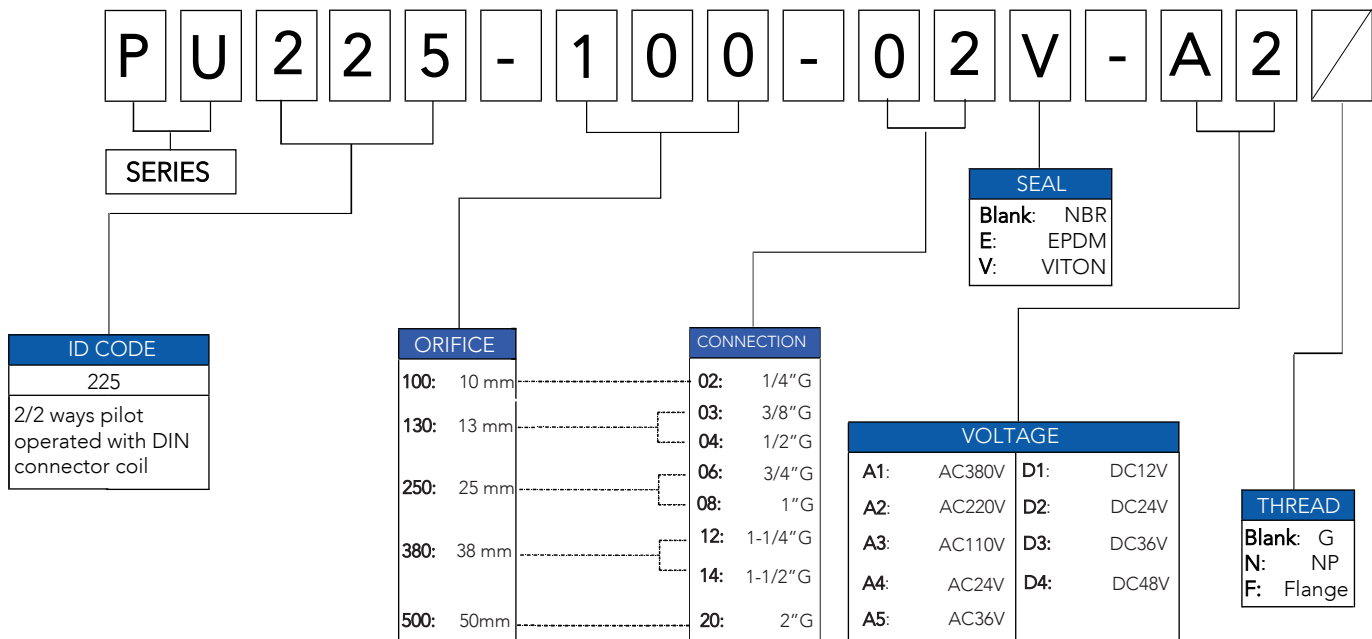
- Wide range of pressure ratings, sizes, and resilient materials provide long service life and low internal leakage
- High flow valves for liquid, corrosive, and air/inert gas service
- Industrial applications include:
 - Car Wash
 - Air Compressors
 - Pumps
 - Laundry Equipment
 - Industrial Water Control
 - Water Treatment



Electrical

Standard Coil	Watt Rating and Power Consumption				Spare Coil Part Number			
	DC Watt	AC			General Purpose		Explosionproof	
		Watt	VA Holdin	VA Inrus	AC	DC	AC	DC
F	13	22	22	40	0545-AC	0545-DC	1680-AC	1680-DC
F	13	22	25	70	0543-AC	0543-DC	1661-AC	1661-DC
F	13	22	35	180	-	-	1381-AC	1381-DC

Ordering Code

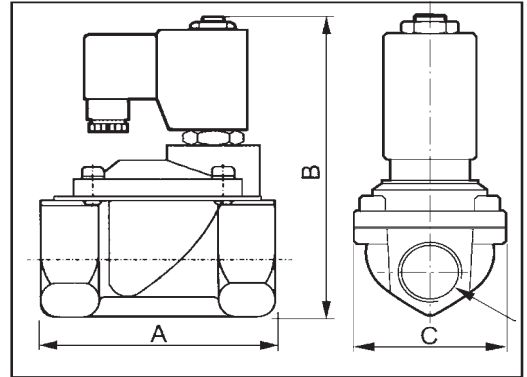


Order Example:

PU series pilot operated 2/2 ways solenoid valve, 1/2" port size, VITON diaphragm seals, AC220V, DIN connector, BSPP (G) thread.
SENYA part# PU225-130-03V-A2

Dimensions Sheet (mm)

Model	Port Size	A	B	C
PU225-130-03-A2	3/8 "	67.5	106	48
PU225-130-04-A2	1/2 "	67.5	106	48
PU225-250-06-A2	3/4 "	75	112	58
PU225-250-08-A2	1 "	96	124.5	70
PU225-380-12-A2	1 1/4 "	130	139	97
PU225-380-14-A2	1 1/2 "	130	139	97
PU225-500-20-A2	2 "	161	160.5	112



***Note:**
 SPU series dimensions is the same as PU series

Specifications (Metric units)

Pipe Size (in)	Orifice Size (mm)	CV Flow Factor	Operating Pressure Differential (Bar)						Max. Fluid Temp. °C		Brass	Stainless Steel 304	Watt Rating/Class of Coil Insulation				
			Min.	Max. AC			Max. DC			AC			DC	Catalog Number	Catalog Number	AC	DC
				Air-Inert Gas	Water	Light Oil less 50 CST	Air-Inert Gas	Water	Light Oil less 50 CST								
NORMALLY CLOSED (Closed when de-energized)																	
3/8	13	4.5	0.05	16	16	13	16	16	13	80	80	PU225-130-03-A2	SPU225-130-03-A2	6.1/F	11.6/F		
3/8	13	4.5	0.05	16	16	-	16	16	-	130	130	PU225-130-03E-A2	SPU225-130-03E-A2	10.1/F	11.6/F		
3/8	13	4.5	0.05	16	16	13	16	16	13	120	120	PU225-130-03V-A2	SPU225-130-03V-A2	6.1/F	11.6/F		
1/2	13	4.5	0.05	16	16	13	16	16	13	80	80	PU225-130-04-A2	SPU225-130-04-A2	17.1/F	-		
1/2	13	4.5	0.05	16	16	-	16	16	-	130	130	PU225-130-04E-A2	SPU225-130-04E-A2	6.1/F	11.6/F		
1/2	13	4.5	0.05	16	16	13	16	16	13	120	120	PU225-130-04V-A2	SPU225-130-04V-A2	10.1/F	11.6/F		
3/4	25	7.6	0.05	16	16	13	16	16	13	80	80	PU225-250-06-A2	SPU225-250-06-A2	17.1/F	11.6/F		
3/4	25	7.6	0.05	16	16	-	16	16	-	130	130	PU225-250-06E-A2	SPU225-250-06E-A2	6.1/F	11.6/F		
3/4	25	7.6	0.05	16	16	13	16	16	13	120	120	PU225-250-06V-A2	SPU225-250-06V-A2	17.1/F	-		
1	25	12	0.05	16	16	13	16	16	13	80	80	PU225-250-08-A2	SPU225-250-08-A2	17.1/F	40.6H		
1	25	12	0.05	16	16	-	16	16	-	130	130	PU225-250-08E-A2	SPU225-250-08E-A2	17.1/F	11.6/F		
1	25	12	0.05	16	16	13	16	16	13	120	120	PU225-250-08V-A2	SPU225-250-08V-A2	6.1/F	11.6/F		
1 1/4	38	22	0.05	16	16	13	16	16	13	80	80	PU225-380-12-A2	SPU225-380-12-A2	10.1/F	11.6/F		
1 1/4	38	22	0.05	16	16	-	16	16	-	130	130	PU225-380-12E-A2	SPU225-380-12E-A2	6.1/F	11.6/F		
1 1/4	38	22	0.05	16	16	13	16	16	13	120	120	PU225-380-12V-A2	SPU225-380-12V-A2	16.1F	30.8/F		
1 1/2	38	30	0.05	16	16	13	16	16	13	80	80	PU225-380-14-A2	SPU225-380-14-A2	16.1/F	30.8/F		
1 1/2	38	30	0.05	16	16	-	16	16	-	130	130	PU225-380-14E-A2	SPU225-380-14E-A2	6.1/F	11.6/F		
1 1/2	38	30	0.05	16	16	13	16	16	13	120	120	PU225-380-14V-A2	SPU225-380-14V-A2	20.1/F	-		
2	50	48	0.05	16	16	13	16	16	13	80	80	PU225-500-20-A2	SPU225-500-20-A2	17.1/F	-		
2	50	48	0.05	16	16	-	16	16	-	130	130	PU225-500-20E-A2	SPU225-500-20E-A2	16.1/F	30.8/F		
2	50	48	0.05	16	16	13	16	16	13	120	120	PU225-500-20V-A2	SPU225-500-20V-A2	6.1/F	11.6/F		

***Note:**
 Standard Voltages must be specified when ordering. Other voltages please consult SENYA staff for more details